

Multi Lane Swing Barrier

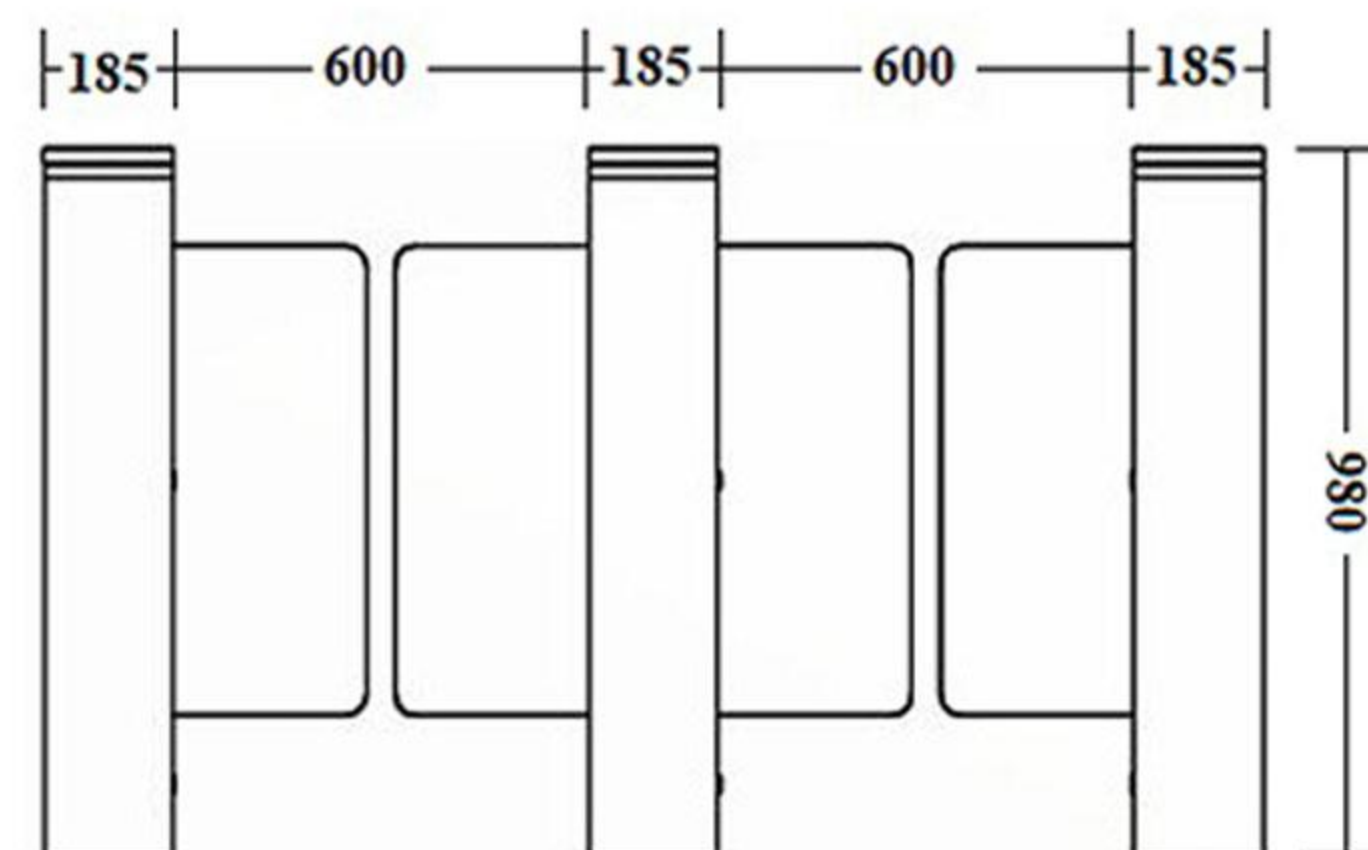
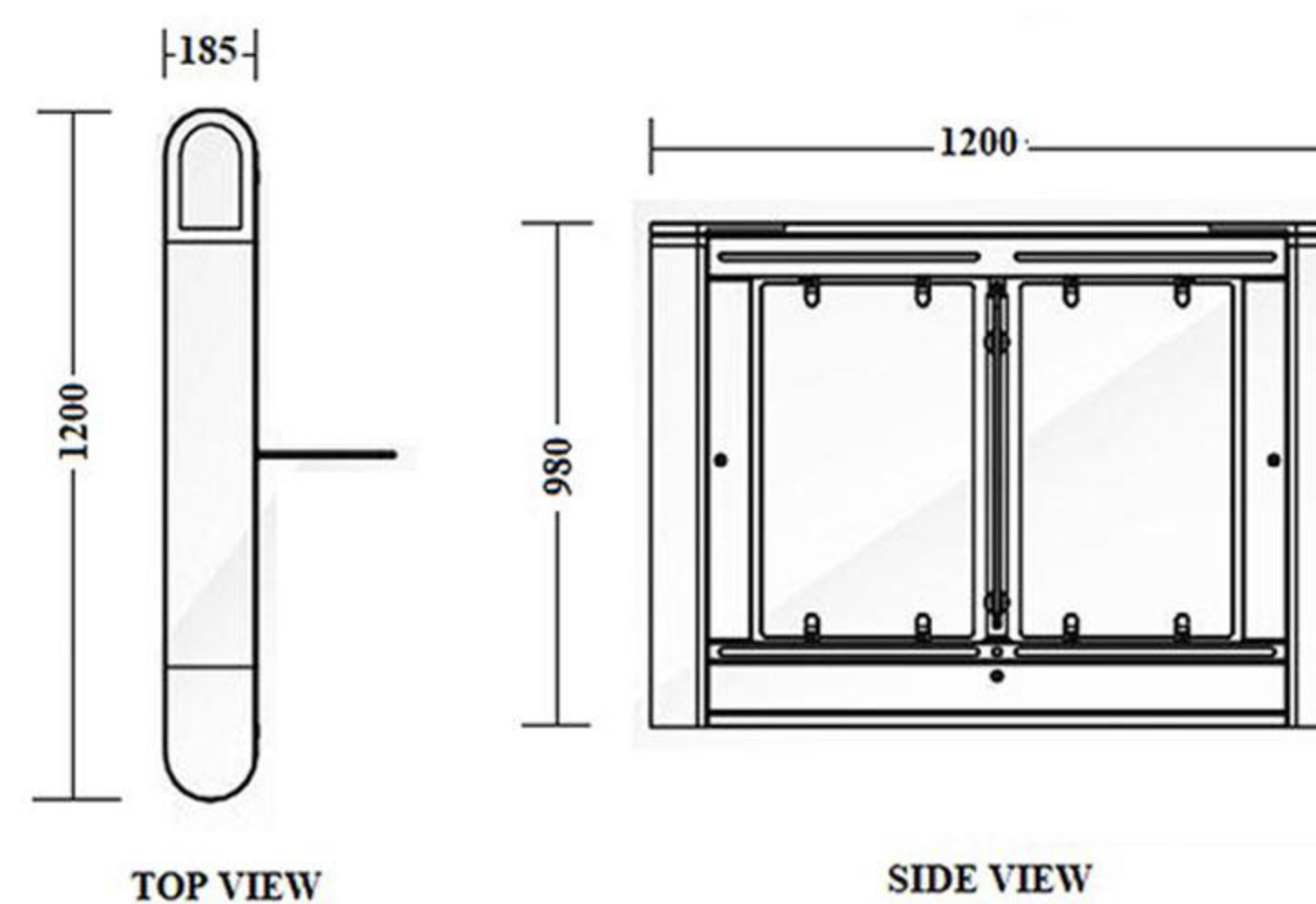
SB-ES-3012-2



Specification

Product Size: 1200*185*980mm
 Pass Width: 600mm
 Net Weight: 65kg
 Thickness: 1.0mm
 Material: 1.0mm SUS 304
 Operating Time: 0.2 Seconds
 Top cover Material: 1.2mm SUS304
 Arm Material: 10mm Transparent Acrylic
 Driver: Brushed Motor
 Infrared Sensor: 4pairs
 Pass rate: 20-35p/m
 Power Supply: 100-240V(AC)
 Operational Voltage: 24V(DC)
 Max Power Consumption: 35W
 Frequency: 50-60hz
 Working Temperature: -25 to +70 ☒
 MCBF: 5,000,000cycles

Dimensions



TWO LANE SYSTEM